



PAPERTHIN
ARCHITECTURE
by lennart lauren

Studio: **Lennart Lauren**
Designer: **Lennart & Lauren Leerdam**
Country: **The Netherlands**
photography: **kasimir szekeres photography**
Illustrate work: **Material Transformation**
Material: **Polished stainless steel 0.5 / 0.6 / 0.8mm**
Website: **lennartlauren.com**
Email: **info@lennartlauren.com**
Instagram: **[@lennartlauren](https://www.instagram.com/lennartlauren)**

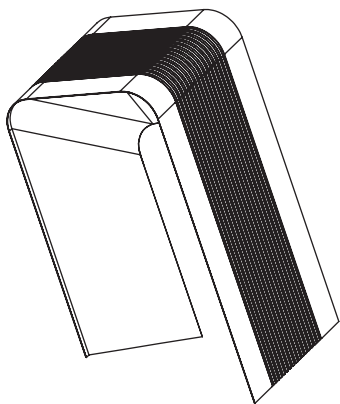
Limited edition of 9 + 1AP
With exception of the polished paperthin stool
Price: **on request**

PAPERTHIN ARCHITECTURE

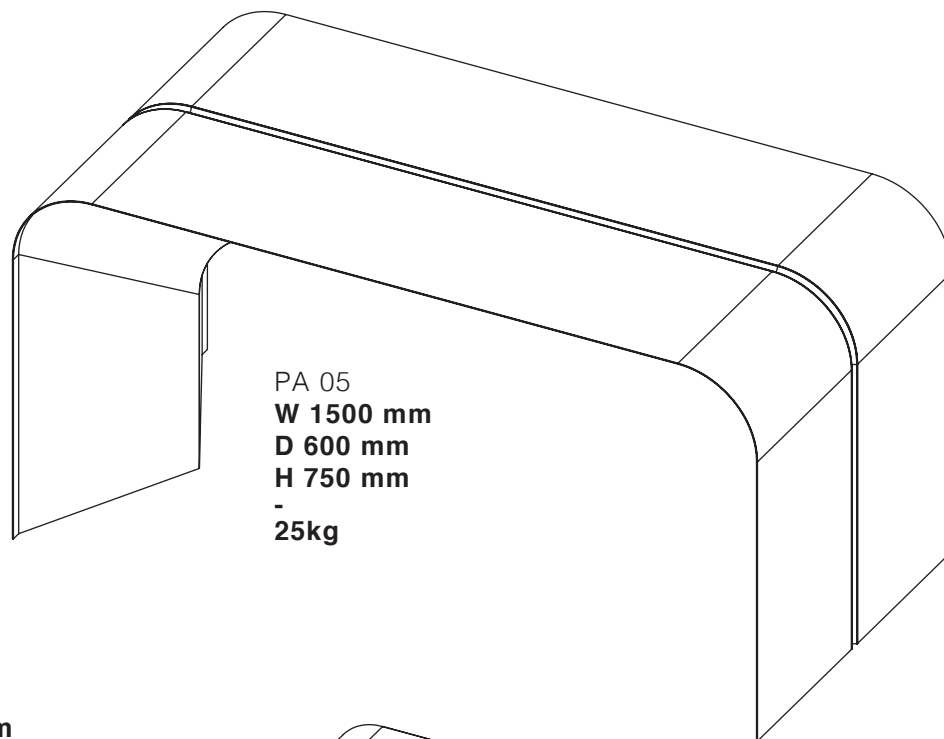
“We think the beauty of a material transformation should always provoke a new sense of admiration with respect to the known”

On behalf of the Venice Design organization we made a design proposal based on our Paperthin concept.

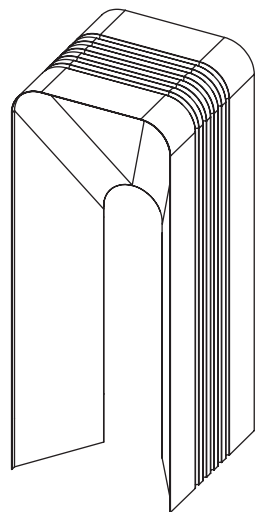
Designing a new series of architectural objects, that should be relevant in terms of daily use, enabled us to rediscover the value of the actual material and its related proces. The objects breathe the essence of the classic tin can whilst illuminating the characteristics of a paper thin material.



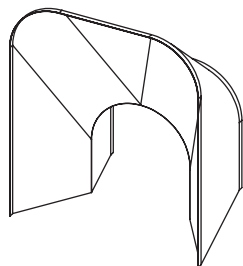
PA 03
W 500 mm
D 320 mm
H 575 mm
-
4kg



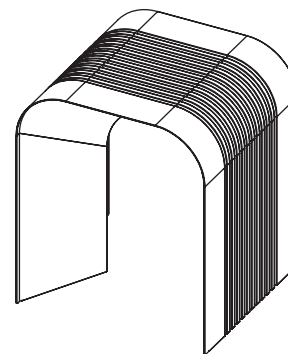
PA 05
W 1500 mm
D 600 mm
H 750 mm
-
25kg



PA 04
W 320 mm
D 320 mm
H 800 mm
-
5.3kg



PA 02
W 380 mm
D 280 mm
H 460 mm
-
2.4kg



PA 01
W 380 mm
D 350 mm
H 460 mm
-
3.8kg



by lennart lauren



by lennart lauren